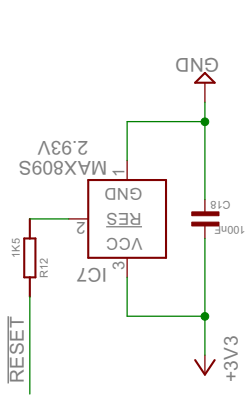
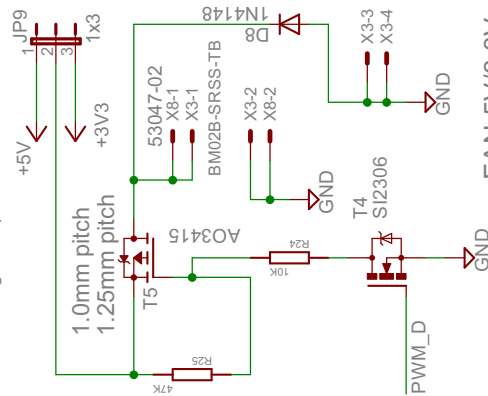


Main connections, Audio Chip, USB, SPDIF Raspberry (GPIO+SPI)	
TITLE: vHAT1	REU: X.0
Document Number: version 1.3	Date: 13.07.2017 0:01:42
Sheet: 1/3	

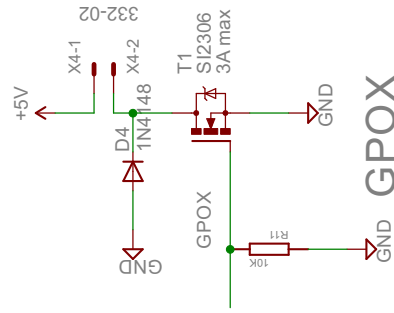


RESET

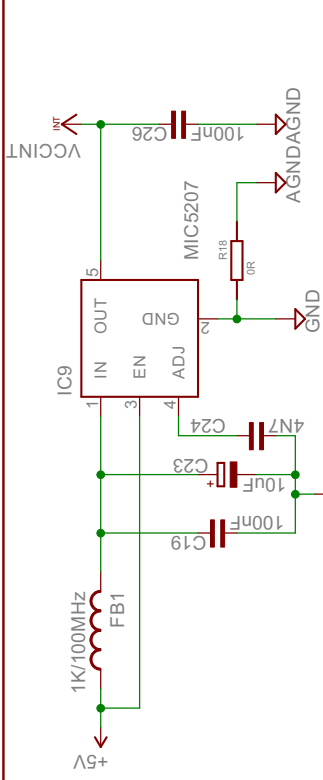
FAN Voltage Jumper Selection



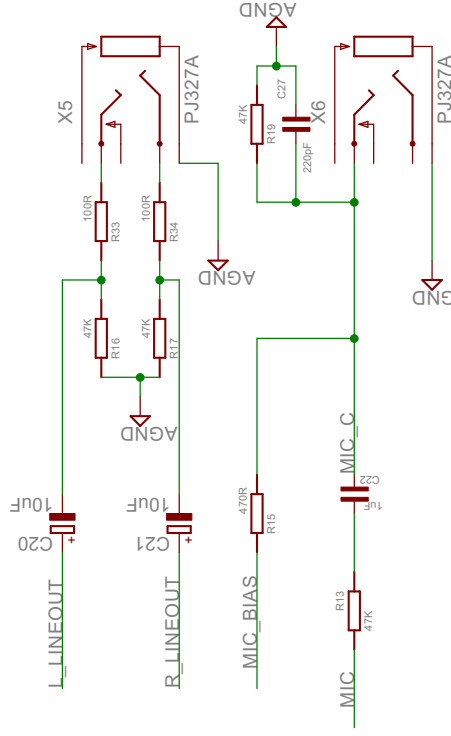
FAN 5V/3.3V



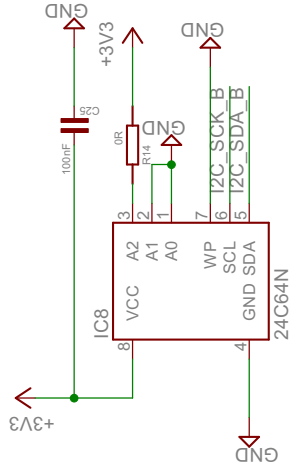
GPOX



+3.3V for DAC

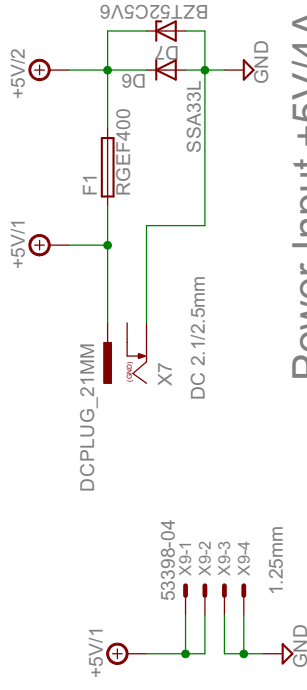


MIC IN/Line Out Connectors

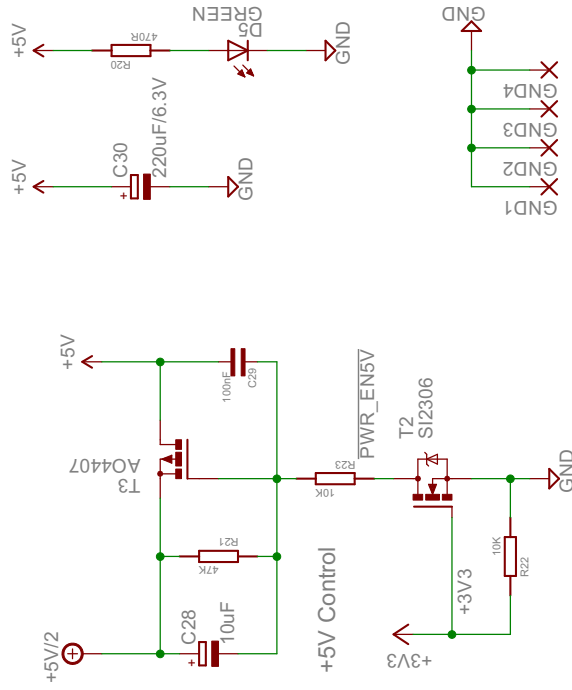


EEPROM

I2C ADDR=0x54. Use 24C32/24C64, lower density have possible address conflict with RTC(U20)=YM8563 (0x51).
Raspberry I2C ID Address for HAT 0x50



Power Input +5V/4A



+5V Control & Power LED

Power Supply (+5V, 3.3 DAC), FAN Controls, Connectors (GPOX, Audio, Powers, FAN)

TITLE: vHAT1

Document Number: version 1.3

REV: X.0

Date: 13.07.2017 0:01:42

Sheet: 2/3

HISTORY:

- X.0 - First Issue (HW revision)
- 1.1 First Issue
 - 1.2 Changed TPS2042 to TPS2064 (~1.5A)
 - Changed FAN Connectors to 1.25 and 1.00 pitch
 - Changed FAN Control from PWM_F to PWM_D/PWM_AO_A (due VIM2)
 - Changed FAN mosfet to AO3415
 - Add Jumper for Booting Mode for VIM2 / PWM_F (Pullup to 3.3V)
 - Add Support for ADC_CH2, Remove GND for JP6-PIN11
 - Add Resistors for JP6-PIN11 (VIM-GND, VIM2-1.8V)
 - Remove PWR_EN and Use instead 3.3V as PWR_EN
 - Add Connector X11 for PWR_EN(VIM1)/PWR_ON (VIM2)
 - Remove +5V JP6 - PIN 6 - conflict with VIM2 (GPIO)
 - Add TP4 for CS3
 - Add 100R for Audio LineOut's (save for shortcut)
 - Fix Numbering of pins of JP6 (to Fit VIM schematic)
 - Add Power Led for USB-Console (indicate power in from USB)
 - Fix USB_P/N for PL2303SA (mixed up)
 - Fix protective diode for GPOX
 - Change I2C Address to 7bit format
 - 1.3 Update text of signals, create searchable schematic

A

A

B

B

C

C

D

D

History Page

version 1.3

VHAT1

13.07.2017 0:01:42

Sheet: 3/3